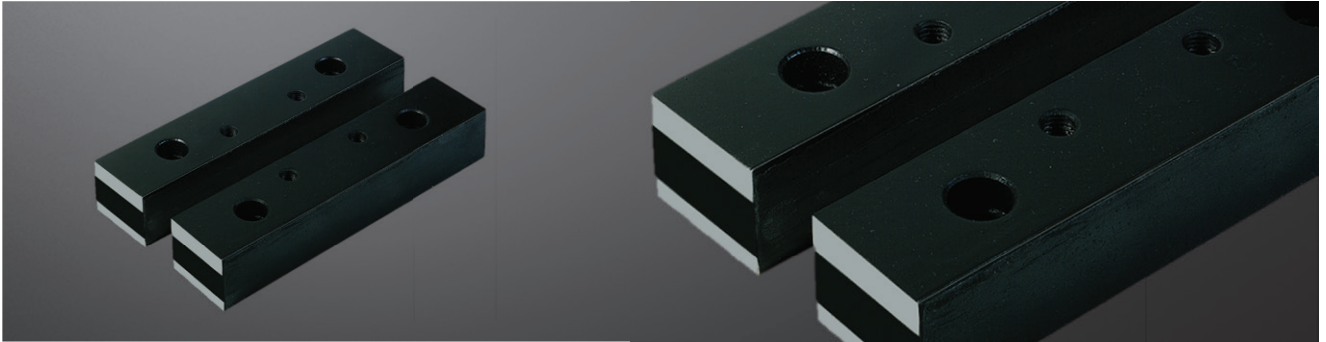
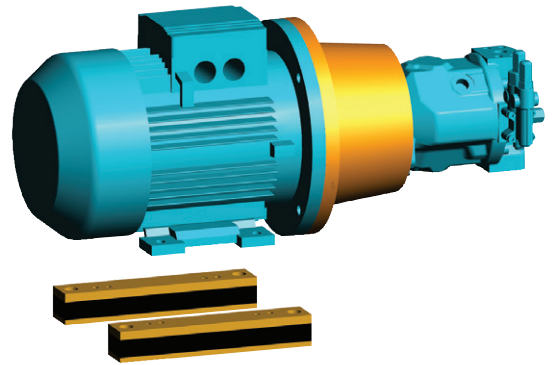
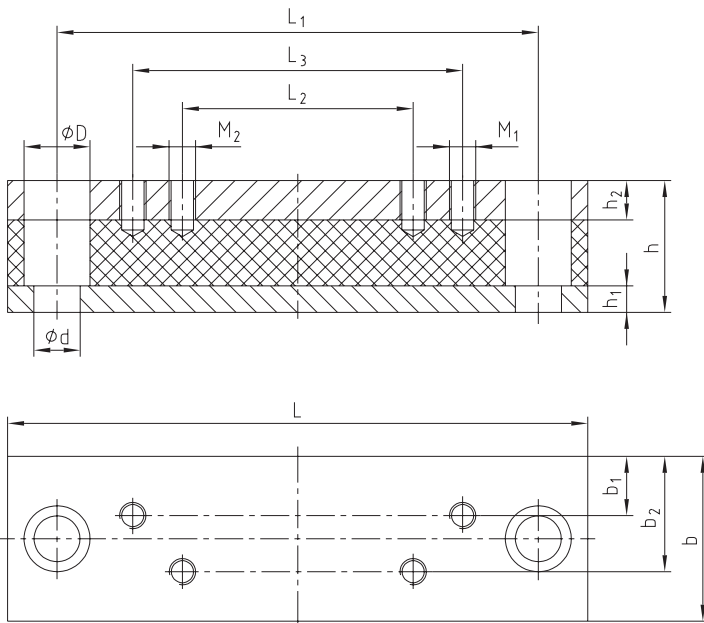


# DAMPING ELEMENTS HYDRAULIC COMPONENTS

## Damping rods type DSM



Type DSM



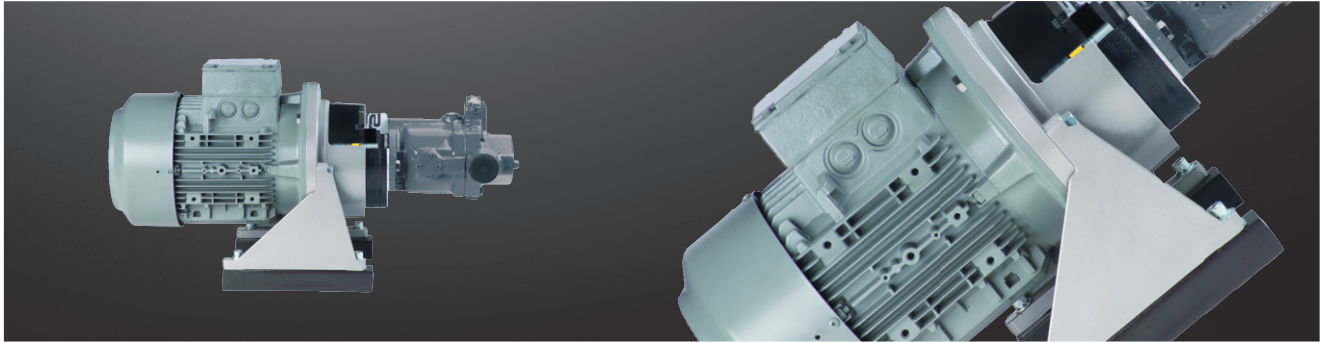
Damping rods type DSM for electric motors type IMB 35, protection class IP54															
Damping rod size	For motor size	Dimensions [mm]													
		L	L <sub>1</sub>	L <sub>2</sub>	L <sub>3</sub>	h	h <sub>1</sub>	h <sub>2</sub>	b	b <sub>1</sub>	b <sub>2</sub>	d	D	M <sub>1</sub>	M <sub>2</sub>
DSM 71	71	196	156	90		40	8	12	50	21		14	20	M6	
DSM 80	80	176	146	100		40	8	12	50	22		14	20	M8	
DSM 90 S	90S	196	156	100		40	8	12	50	24.5	-	14	20	M8	
DSM 90 L	90L	240	205	125		40	8	12	50	24		14	20	M8	
DSM 100 L/112 M	100L/112M	240	205	140		40	8	12	50	22		14	20	M10	
DSM 132 S/132 M	132S/132M	280	245	140	178	45	8	12	50	20	20	14	20	M10	M10
DSM 160 M	160M	340	300	210		60	15	15	70	28		18	26	M12	
DSM 160 L	160L	416	370	254		60	15	15	70	28		18	26	M12	
DSM 180 M	180M	416	370	241		60	15	15	70	35		18	26	M12	
DSM 180 L	180L	446	400	279		60	15	15	70	35		18	26	M12	
DSM 200 L	200L	492	430	305		60	15	15	70	35		22	33	M16	
DSM 225 S	225S	492	430	286		60	15	15	70	35		22	33	M16	
DSM 225 M	225M	492	445	311		60	15	15	70	35		22	33	M16	
DSM 250 M	250M	492	445	349		60	15	15	100	50		22	33	M20	
DSM 280 S/280 M	280S/280M	614	570	368	419	60	15	15	100	50	50	22	33	M20	M20
DSM 315 S/315 M	315S/315M	614	570	406	457	60	15	15	120	60	60	22	33	M24	M24
DSM 315 L	315L	704	660	508		60	15	15	120	60	-	22	33	M24	

Other sizes on request

Ordering example:	DSM	100 L/112 M
	Damping rod	Size

# DAMPING ELEMENTS HYDRAULIC COMPONENTS

## Damping rods type DSFL, DSFS and DSK



### Damping rods type DSFL for foot flange type PTFL

Damping rod size	For foot flange	Dimensions [mm]										
		L	L <sub>1</sub>	L <sub>2</sub>	h	h <sub>1</sub>	h <sub>2</sub>	b	b <sub>1</sub>	d	D	M
DSFL 160	PTFL 160	176	130	50	40	8	12	50	10	14	20	M8
DSFL 200	PTFL 200	176	130	60	40	8	12	50	15	14	20	M10
DSFL 250	PTFL 250	230	140	60	40	8	12	50	15	14	20	M12
DSFL 300	PTFL 300	270	170	80	40	8	12	50	15	14	20	M12
DSFL 350	PTFL 350	305	200	110	60	15	15	70	25	18	26	M16

### Damping rods type DSFS for foot flange type PTFS

Damping rod size	For foot flange	Dimensions [mm]												
		L	L <sub>1</sub>	L <sub>2</sub>	L <sub>3</sub>	h	h <sub>1</sub>	h <sub>2</sub>	b	b <sub>1</sub>	b <sub>2</sub>	d	D	M <sub>1, M<sub>2</sub></sub>
DSFS 200L	PTFS 200	245	205	150	-	40	8	12	50	19	-	13	20	M10
DSFS 250	PTFS 250	240	140	185	-	40	8	12	50	17.5	-	13	20	M12
DSFS 250/300L	PTFS 250/300	340	300	185	225	40	8	12	50	17.5	32.5	13	20	M12
DSFS 300	PTFS 300	280	180	225	-	40	8	12	50	17.5	-	13	20	M12
DSFS 350	PTFS 350	325	200	265	-	60	15	15	70	25	-	17	26	M16
DSFS 350/400L	PTFS 350/400	430	390	265	300	60	15	15	70	25	45	18	26	M16
DSFS 400	PTFS 400	350	234	300	-	60	15	15	70	25	-	17	26	M16
DSFS 450	PTFS 450	385	270	335	-	60	15	15	70	25	-	17	26	M16
DSFS 450L	PTFS 450	465	425	335	-	60	15	15	70	25	-	18	26	M16
DSFS 550	PTFS 550	490	350	415	-	60	15	15	100	25	-	18	26	M16
DSFS 550L	PTFS 550	655	605	415	-	60	15	15	100	25	-	18	26	M16
DSFS 660	PTFS 660	635	415	495	-	60	15	15	100	30	-	22	33	M20

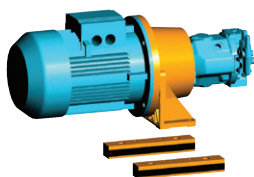
### Damping rods type DSK for bellhousings type PIK with integrated oil cooler with feet

Damping rod size	For cooler size	Dimensions [mm]										
		L	L <sub>1</sub>	L <sub>2</sub>	h	h <sub>1</sub>	h <sub>2</sub>	b	b <sub>1</sub>	d	D	M
DSK 200	PIK 200	240	210	154.5	40	8	12	50	25	14	20	M12
DSK 250	PIK 250	270	240	175.5	40	8	12	50	25	14	20	M12
DSK 300	PIK 300	280	250	199.5	40	8	12	50	25	14	20	M12
DSK 350	PIK 350	325	295	243.5	60	15	15	70	35	14	20	M12

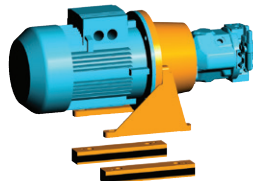


- Damping rods reduce the noise level and dampen vibrations
- Special lengths or types available on request
- Damping rods made of natural rubber (NR)
- Shear load (V1) not permissible
- Available from stock

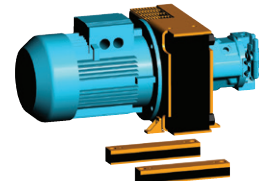
Type DSFL



Type DSFS



type DSK



Ordering  
example:

DSFS	300
Damping rod	Size